

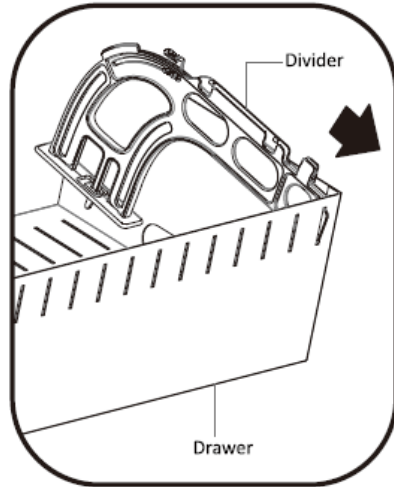
PREPARATION**SLOT INSTALLATION & DISASSEMBLY**

Fig. H

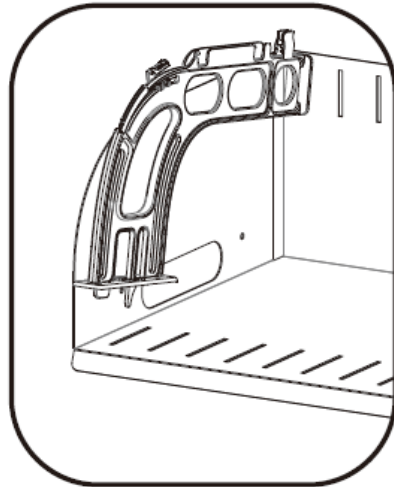


Fig. I

1. Insert the rear tab of each divider into the rear hole of non-extendable drawer. (Fig. H, Fig. I)
2. Insert the bottom tabs of each divider into the bottom hole of fixed drawer and then press the longer tab towards your body until hear "click" sound to complete the assembly.(Fig. J, Fig. K)
3. When disassembly, press the longer bottom tab again to get released.

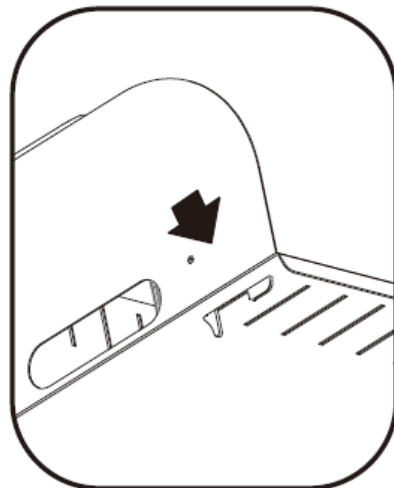


Fig. J

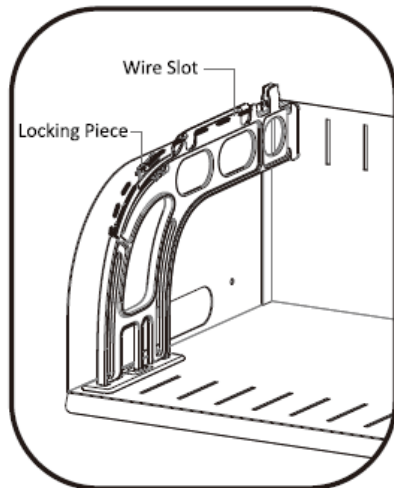


Fig. K

4. As shown Fig. K, the dotted line represents wire slot. Route the adaptor DC-end cable along with the wire slot.(Fig. L)
5. Slide the locking piece to tighten the wire.(Fig. M)

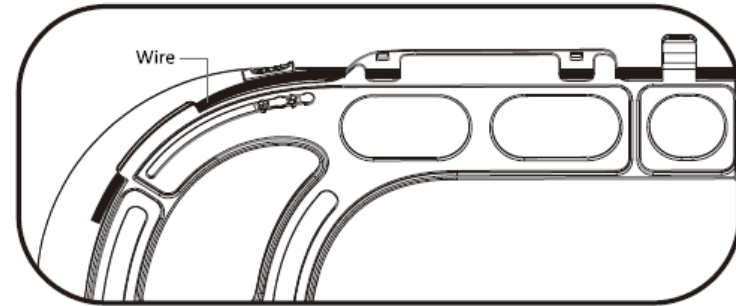


Fig. L

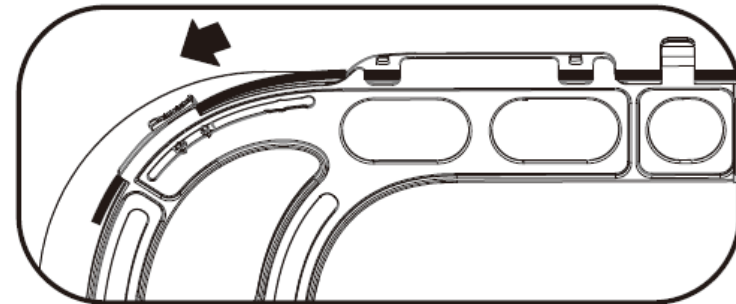


Fig. M