

# 60L RUBBISH BIN



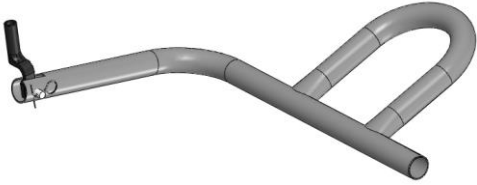
## **RUBBISH BIN INCLUDES:**

Rubbish bin – Lid – Lid attachments  
Pedal assembly kit – Wheels and axel.

**TOOL REQUIRED PHILIPS SCREW DRIVER**

# SPARE HARDWARE CONTENTS LIST:

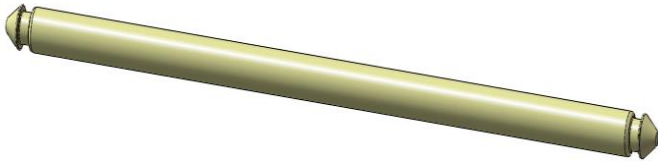
1. Pedal with arm



4. Pole



2. Axel



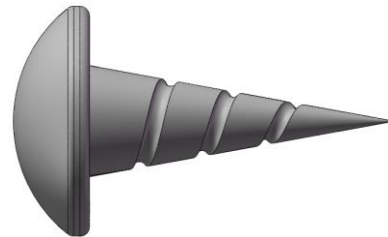
5. Bracket x 2



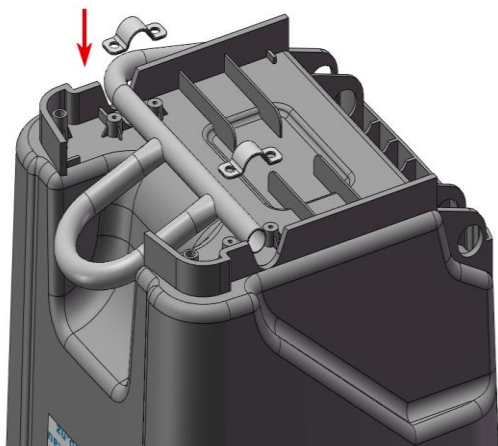
3. Wheels x 2



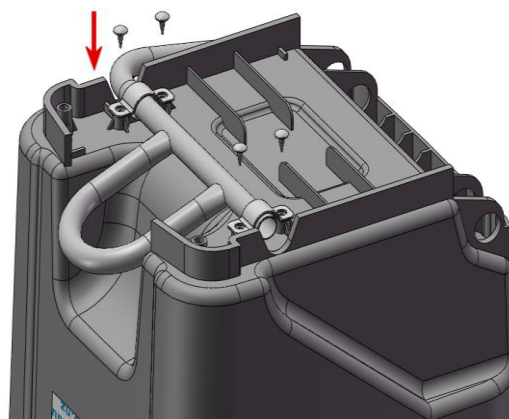
6. Screws x 4



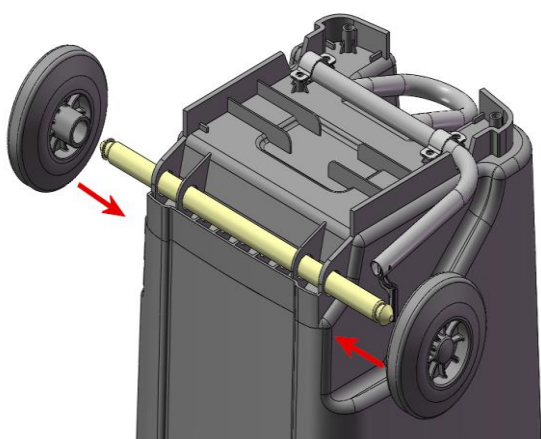
# ASSEMBLY INSTRUCTIONS:



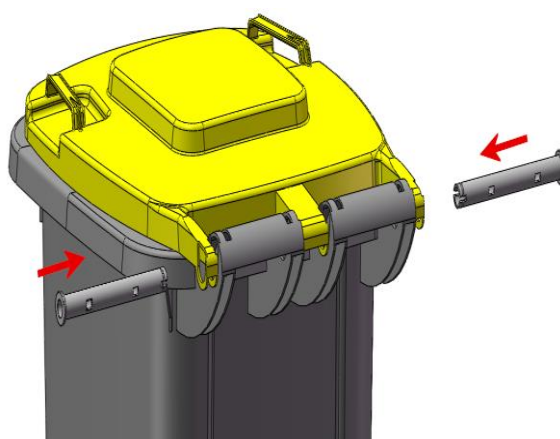
1. Tip bin upside down, place Pedal between screw holes.



2. Place brackets over pedal bar  
And secure with screws



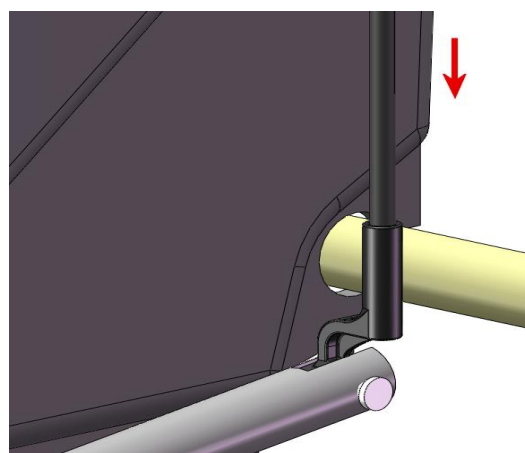
3. Put axel through location holes.  
Push wheels on until a click sound.



4. Place lid into location slots.  
Secure in place with lid pins  
Slight force may be needed.



5. Insert pole through top hole.



6. Slid pole from top of bin into  
pedal arm.