

60L RUBBISH BIN



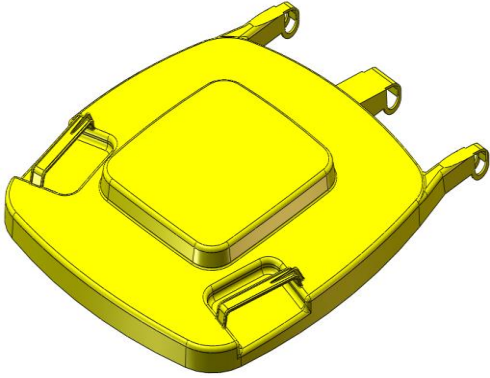
RUBBISH BIN INCLUDES:

Rubbish bin – Lid – Lid attachments
Pedal assembly kit – Wheels and axel.

TOOL REQUIRED PHILIPS SCREW DRIVER

CONTENTS LIST:

1. Lid



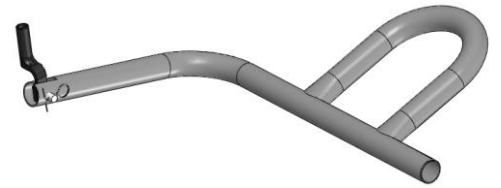
2. Lid attach pin x 2



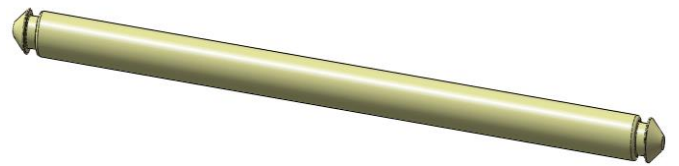
3. 60L Bin



4. Pedal with arm



5. Axel



6. Wheels x 2



7. Pole



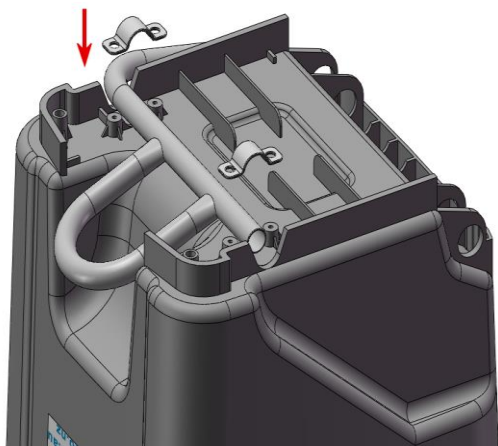
8. Bracket x 2



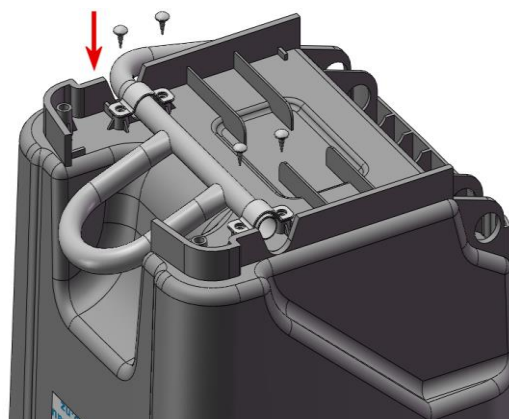
9. Screws x 4



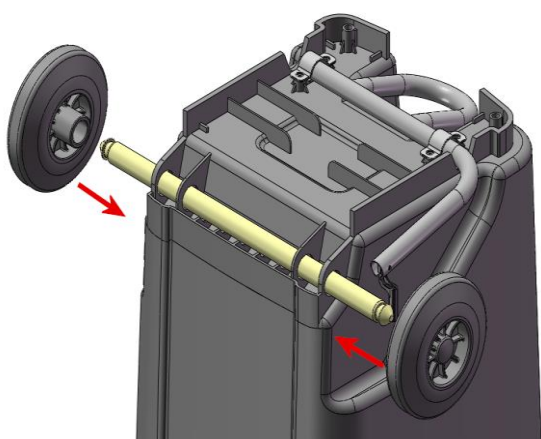
ASSEMBLY INSTRUCTIONS:



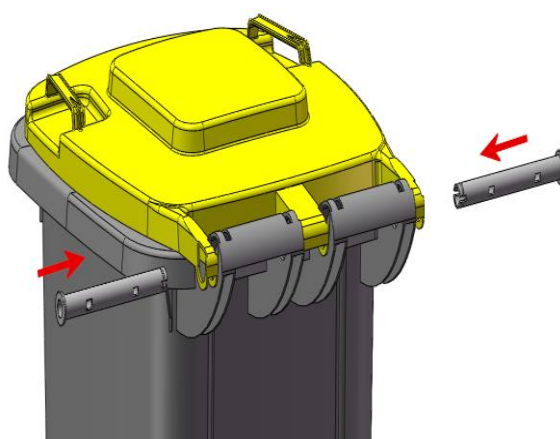
1. Tip bin upside down, place Pedal between screw holes.



2. Place brackets over pedal bar
And secure with screws



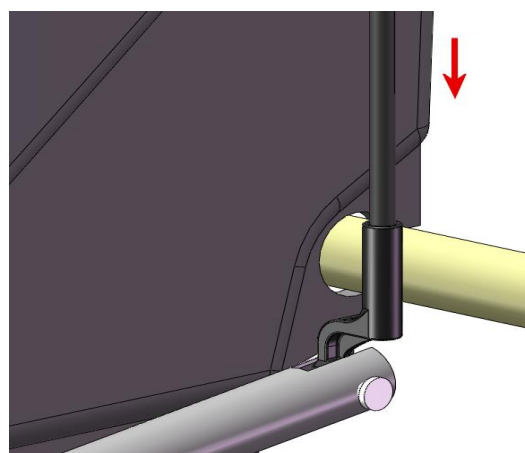
3. Put axel through location holes.
Push wheels on until a click sound.



4. Place lid into location slots.
Secure in place with lid pins
Slight force may be needed.



5. Insert pole through top hole.



6. Slid pole from top of bin into
pedal arm.