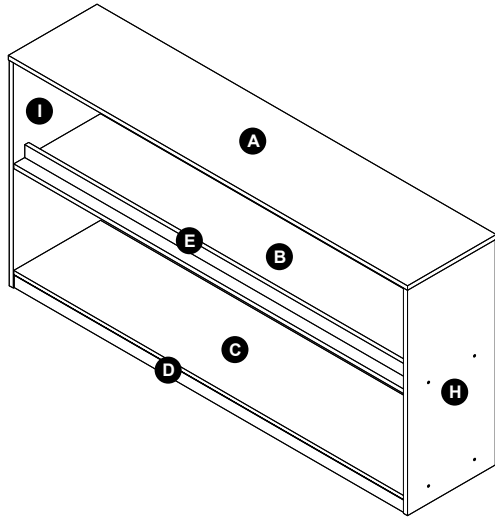


BOOK SHELVES- MELAMINE

Model # TF002



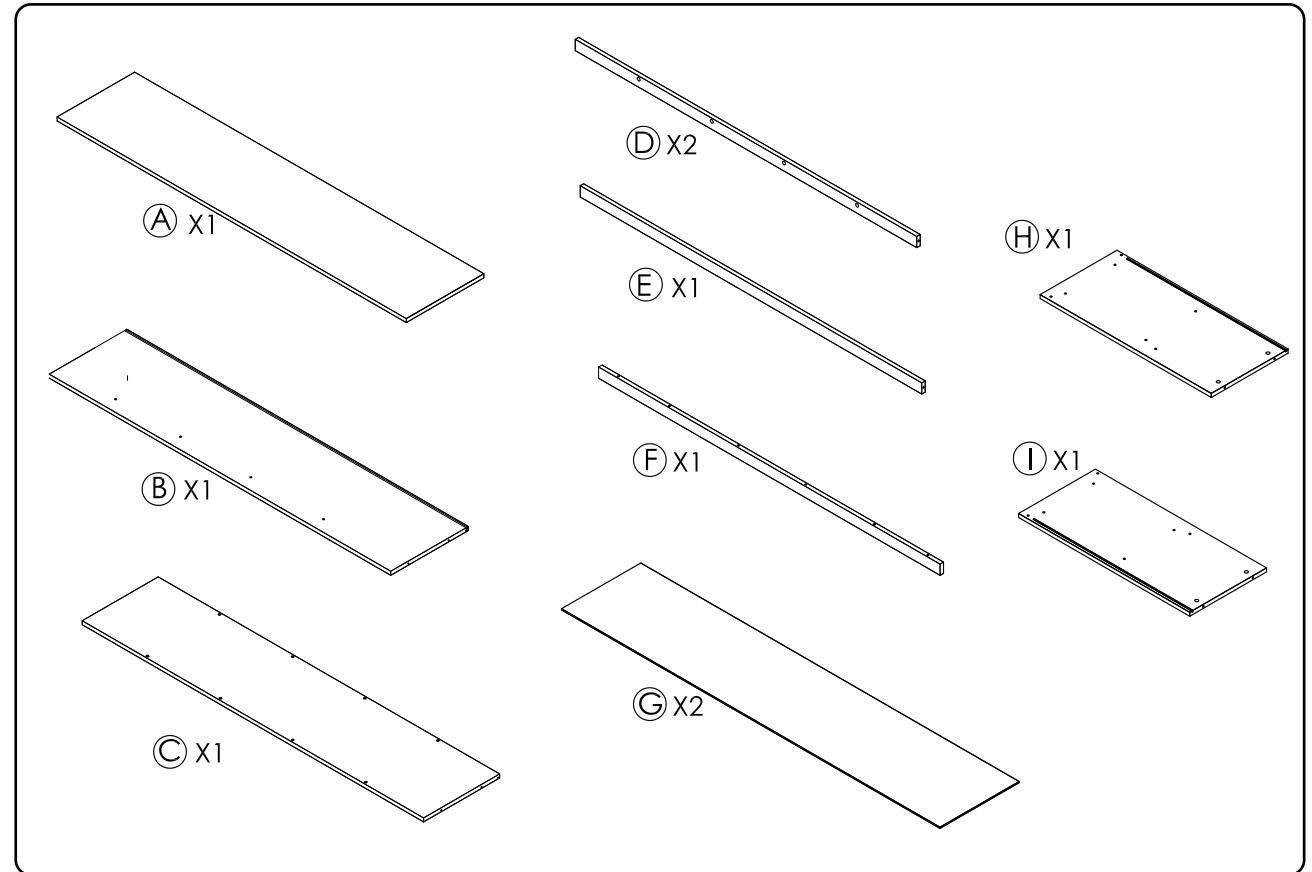
TIP!
DO NOT FULLY
TIGHTEN SCREWS
UNTIL ALL SCREWS
HAVE BEEN LOOSELY
POSITIONED.

BEFORE ASSEMBLING,
MAKE SURE THERE
ARE NO
MISSING PARTS.

WARNING:

- Contains small parts, sharp points and edges.
- Adult Assembly Required.
Two adults recommended.
- Do not stand, sit, kneel, climb, lean or pull on unit for support.
- Never leave children unattended.
- Do not place unit near high heat or moisture.
- Adult Supervision Recommended.

Part List



Hardware



X12



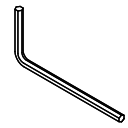
X6



X18



X18

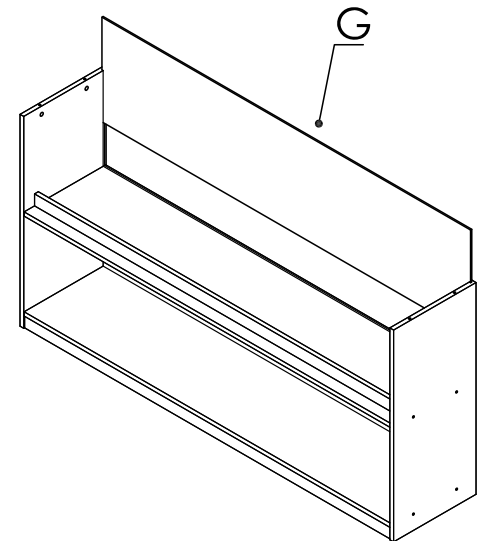
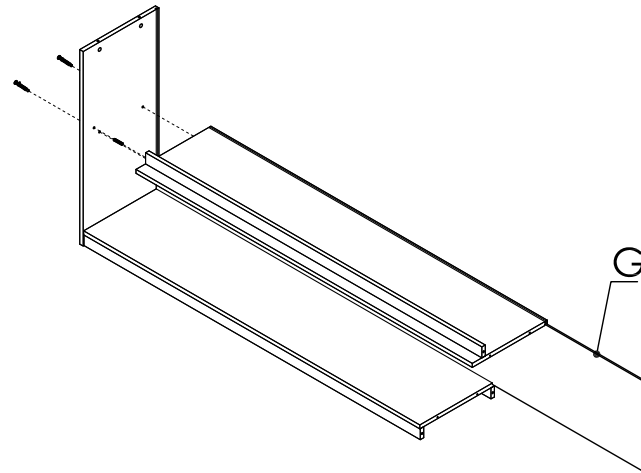
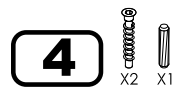
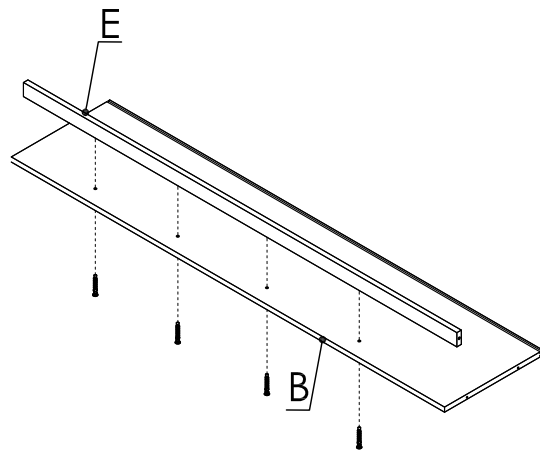
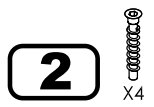
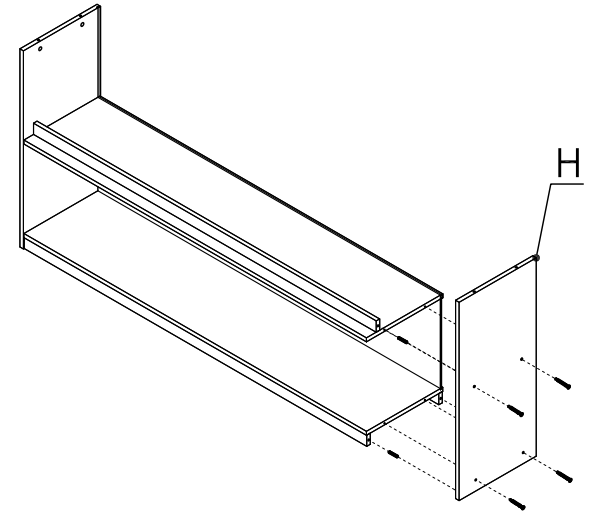
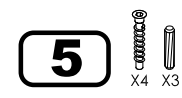
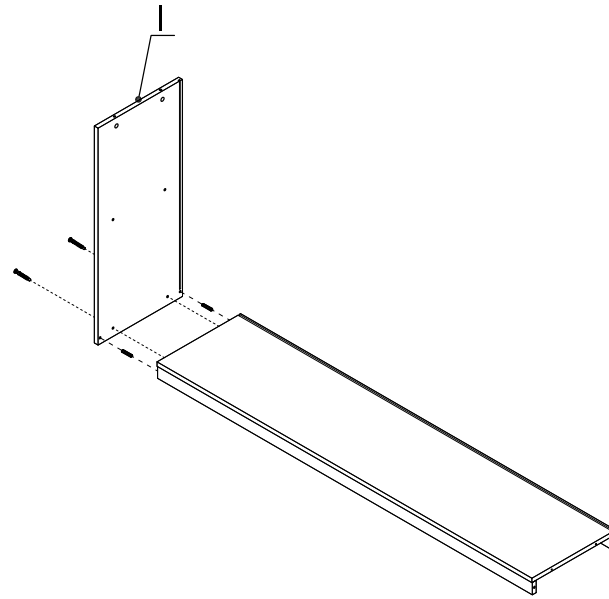
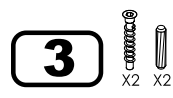
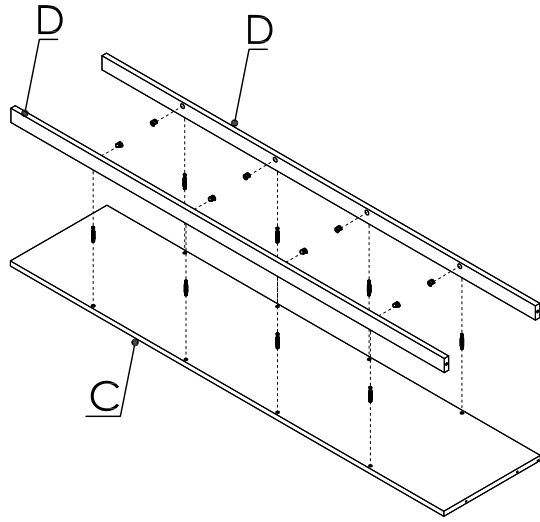


X1

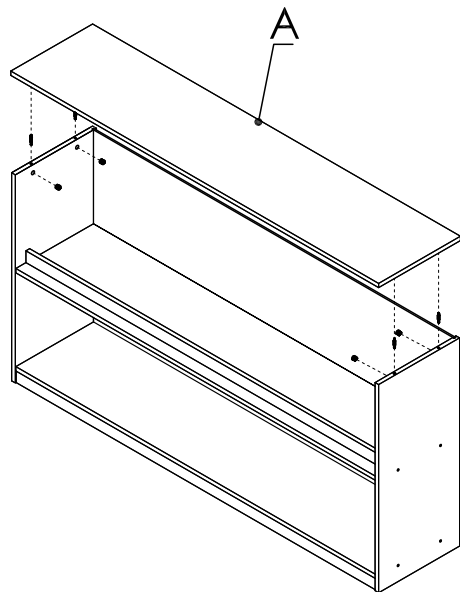
NOTE:

A Phillips Head Screwdriver
will be needed for
Assembly (not included)



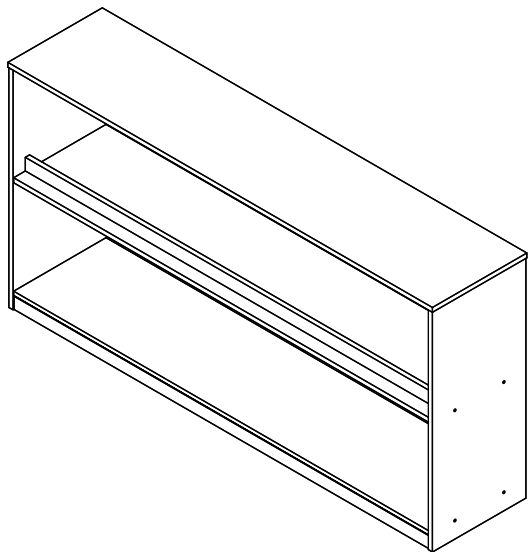


7

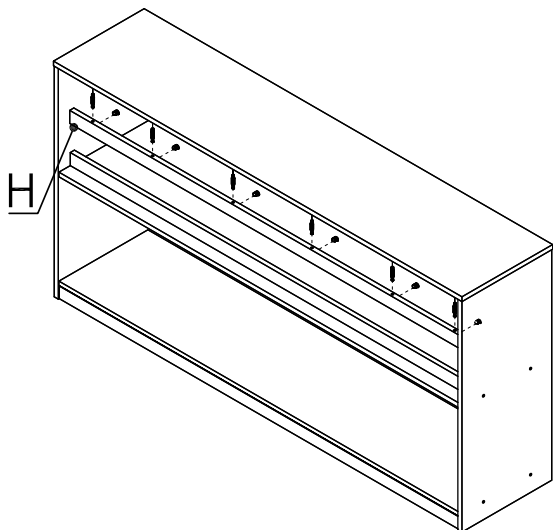


9

Final



8



CAUTION: Do not allow children to climb on shelves. Do not use as a ladder or cart.

Care and Cleaning

Clean wood with a damp cloth or sponge using warm water and mild soap. Wipe dry.

Do not place near heat, moisture or vaporizer which may cause wood to warp and peel.

Check for loose or worn parts periodically and tighten or replace as necessary.

1 YEAR LIMITED WARRANTY

Record the manufacture date here. Information is located on a label enclosed, and on the shipping carton. Place label and this sheet in an accessible place.

Model Number: **TF002**

Manufacture Date: _____

Fasten your Hex Key Tool in the box below and keep in a convenient place for future use.

